



## DW30

### Wheel Dumper

Safe operation, comfortable transportation.

The DW30 provides the ideal harmonization of high safety standards and extensive equipment for many application options. Whether with a cabin or roll bar, with concrete skip or swivel tip skip: it is individually adaptable ex works, making it a real all-rounder for any construction site. It simultaneously provides a 3-ton payload at low dimensions, which means it can be efficiently applied, even in areas that are more difficult to access. For the precise placement of materials in concreting works, the optional concrete skip is equipped with a pouring pan. The DW30 provides a very high level of safety equipment both as standard and across all available versions.

### Highlights

- Skip monitoring
- Inclination monitoring
- Seat belt monitoring with start release
- Hydrostatic 4-wheel drive
- Concrete skip

### Technical Data

#### Hydraulic

|                               |            |
|-------------------------------|------------|
| Operating pressure hydraulics | 150.0 bar  |
| Hydraulic pump                | ZRP        |
| Flow rate                     | 23.0 l/min |

#### Mechanical - Output Details

|              |           |
|--------------|-----------|
| Travel speed | 20.0 km/h |
|--------------|-----------|

#### Mechanical Details

|                              |                      |
|------------------------------|----------------------|
| Length                       | 3,906.0 mm           |
| Width                        | 1,730.0 mm           |
| Height                       | 2,799.0 mm           |
| Payload                      | 3,000.0 kg           |
| Skip                         | Swivel skip          |
| Skip capacity levelled       | 1,280.0 l            |
| Skip capacity heaped         | 1,750.0 l            |
| Skip capacity waterlevel     | 990.0 l              |
| Pendulum angle               | 12.0 °               |
| Operating weight (min.-max.) | 2,048.0 - 2,506.0 kg |

#### Engine

|             |               |
|-------------|---------------|
| Cooling     | Water-cooling |
| Engine type | Diesel engine |

|                         |                         |
|-------------------------|-------------------------|
| Cylinder                | 3.0                     |
| Cylinder capacity       | 1,116.0 cm <sup>3</sup> |
| Inclined position max.  | 25.0 °                  |
| Fuel                    | HVO EN15940             |
| Effective power         | 18.9 KW                 |
| Nominal Engine speed    | 3,000.0 1/min           |
| Exhaust-gas limit       | EU Stage V              |
| Starter battery Voltage | 12.0 V                  |
| Engine Manufacturer     | Yanmar                  |
| Engine Designation      | 3TNV76-UDWN             |

#### Environment Data

|                             |             |
|-----------------------------|-------------|
| Sound power LWA, guaranteed | 101.0 dB(A) |
|-----------------------------|-------------|

#### Chassis

|                    |                          |
|--------------------|--------------------------|
| Turning radius     | 3,980.0 mm               |
| Articulation angle | 36.0 °                   |
| Traction drive     | Swash plate motor        |
| Hydraulic Pump     | Gear pump                |
| Operating pressure | 450.0 bar                |
| Flow rate          | 66.0 l/min               |
| Tires              | 11.5/80-15,3 14PR 126 A8 |

## ■ Shipping and Storage

Shipping weight

2,142.0 kg

## Available engines

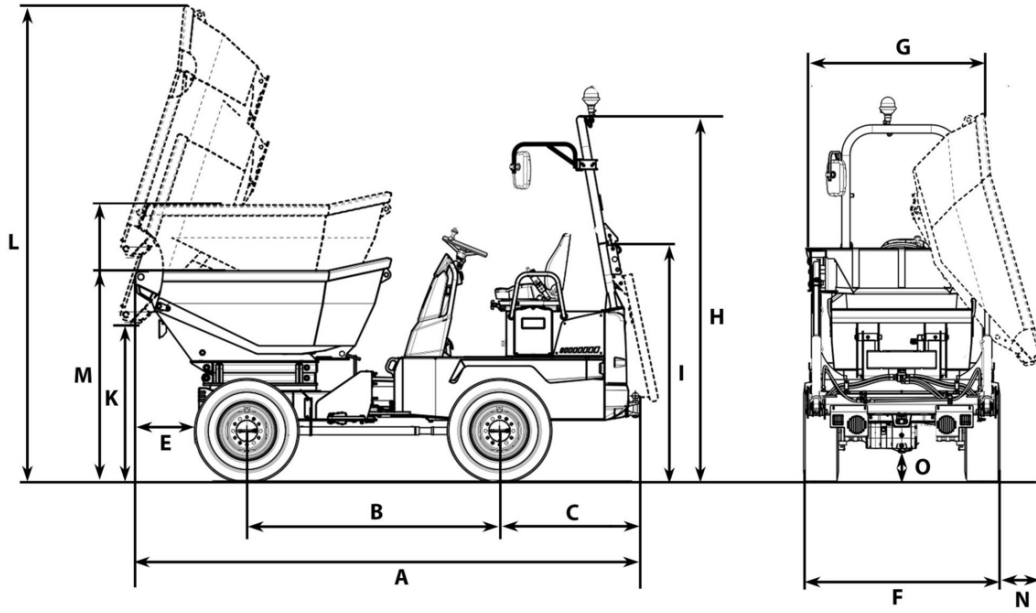
### 36 kW Diesel engine (Stage 5)

|                         |                       |
|-------------------------|-----------------------|
| Cooling                 | Water-cooling         |
| Engine type             | Diesel engine         |
| Cylinder                | 3                     |
| Cylinder capacity       | 1,663 cm <sup>3</sup> |
| Effective power         | 36 KW                 |
| Nominal Engine speed    | 2,800 1/min           |
| Exhaust-gas limit       | EU Stage V            |
| Starter battery Voltage | 12 µg/l               |
| Engine Manufacturer     | Perkins               |
| Engine Designation      | 403J-E17T             |
| Stroke                  | 100 mlai              |
| Bore                    | 84 mlai               |

### 18,9 kW Diesel engine (Stage 5)

|                         |                       |
|-------------------------|-----------------------|
| Cooling                 | Water-cooling         |
| Engine type             | Diesel engine         |
| Cylinder                | 3                     |
| Cylinder capacity       | 1,116 cm <sup>3</sup> |
| Effective power         | 18.9 KW               |
| Nominal Engine speed    | 3,000 1/min           |
| Exhaust-gas limit       | EU Stage V            |
| Starter battery Voltage | 12 µg/l               |
| Engine Manufacturer     | Yanmar                |
| Engine Designation      | 3TNV76-UDWN2          |
| Stroke                  | 82 mlai               |
| Bore                    | 76 mlai               |

## Dimensions



|   |                       |          |
|---|-----------------------|----------|
| A | Total length          | 3,904 mm |
| B | Wheel base            | 1,945 mm |
| C | Rear overhang         | 1,039 mm |
| E | Dumping width         | 482 mm   |
| F | Width of vehicle      | 1,730 mm |
| G | Width of skip         | 1,730 mm |
| H | Height ROPS           | 2,778 mm |
| I | Height of ROPS tilted | 1,913 mm |
| J | Height with cab       | 2,669 mm |
| K | Dumping height max.   | 994 mm   |
| L | Skip height tilted    | 3,082 mm |
| M | Skip height           | 1,475 mm |